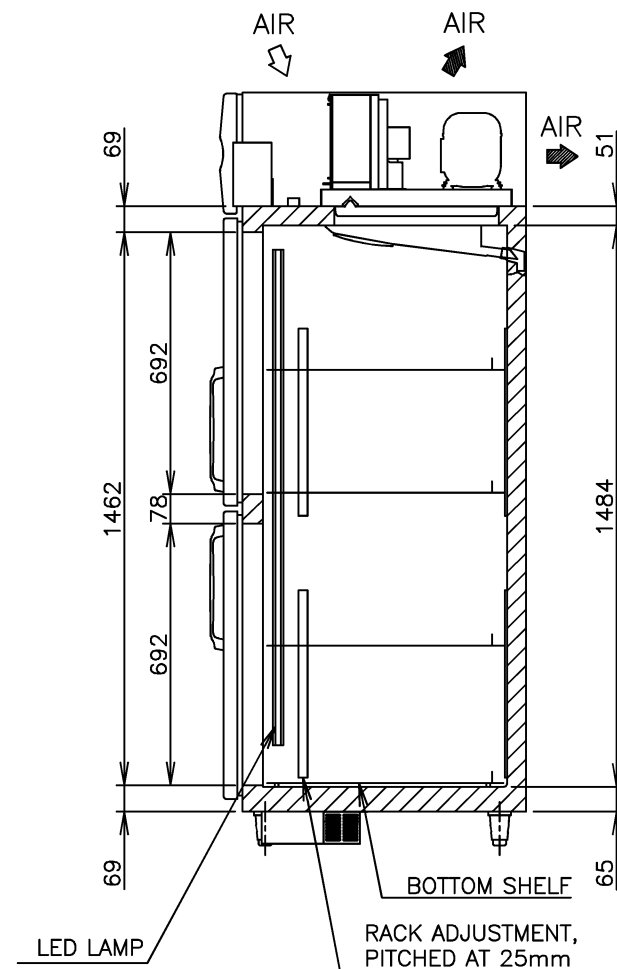
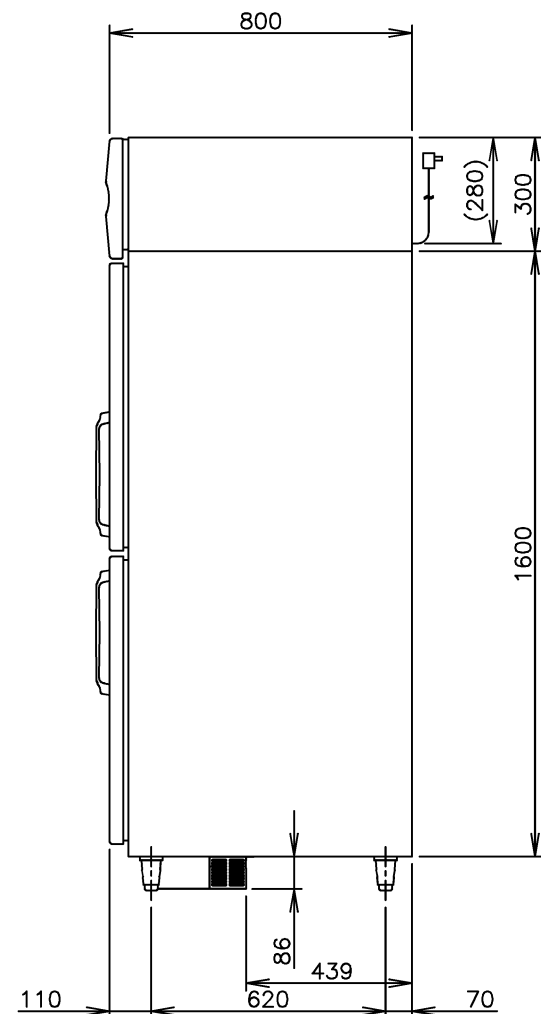
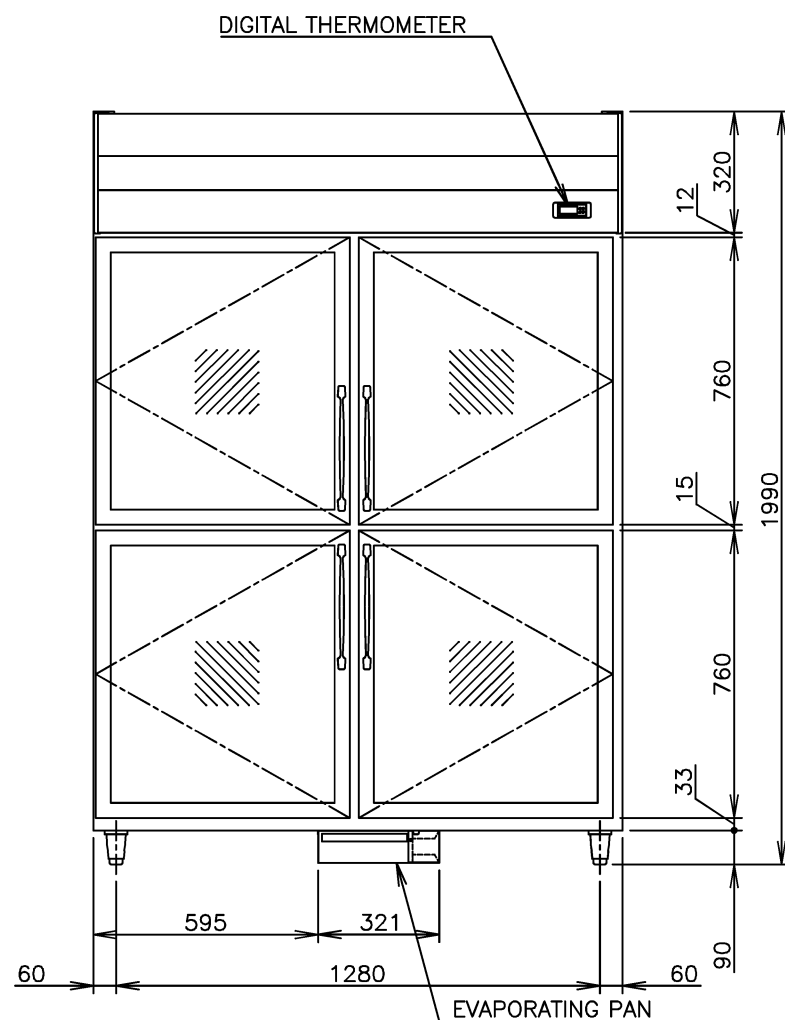


|                                |  |
|--------------------------------|--|
| ITEM                           | Hoshizaki Reach-in Refrigerator  |
| MODEL                          | HR-148MA-TG  |
| POWER SUPPLY                   | 1 Phase 220V ~ 60Hz Capacity: 0.97kVA (4.39A)  |
| AMPERAGE                       | Rated: 3.7A Starting: 13.1A  |
| ELECTRIC CONSUMPTION           | 367W (Power Factor: *)<br>Heater: 425W Defrost: 425W   |
| HEAT REJECTION                 | *W   |
| POWER CORD                     | 2.3m (Plug with Earth Wire)  |
| EFFECTIVE CAPACITY             | 1243L  |
| OUTSIDE DIMENSIONS             | 1400mm(W)×800mm(D)×1990(-2020)mm(H)  |
| INSIDE DIMENSIONS              | 1296mm(W)×646mm(D)×1484mm(H)   |
| EXTERIOR                       | Stainless Steel, Galvanized Steel(Top, Rear, Bottom)<br>Double Layer Glass with Heat Reflection Film(Glass Door) |
| INTERIOR                       | Stainless Steel  |
| INSULATION                     | Polyurethane Foam  |
| INSULATION FOAM BLOWING AGENT  | Cyclopentane   |
| REFRIGERATION SYSTEM           | Forced Air Circulation   |
| DEFROST SYSTEM                 | Heater   |
| COMPRESSOR                     | Hermetic   |
| CONDENSER                      | Wire and Tube type, Air-cooled   |
| EVAPORATOR                     | Fin and Tube type  |
| REFRIGERANT                    | R134a  |
| TEMPERATURE CONTROL            | Microprocessor (Digital Temp. Indication) Adjustable from -2 to 12°C   |
| DEFROST CONTROL                | Microprocessor   |
| ELECTRIC CIRCUIT PROTECTION    | Earth Wire, Circuit Breaker  |
| REFRIGERANT CIRCUIT PROTECTION | Motor Protector (Auto-reset)   |
| LEG                            | Plastic Adjustable from 90 to 120mm  |
| SHELF                          | 8 pcs.   |
| WEIGHT                         | 167kg (Gross 202kg)  |
| PACKAGE                        | Carton (Wooden Pallet) 1460mm(W)×900mm(D)×2075mm(H)  |
| ACCESSORIES                    | Drain Hose x 1, Drain Pan x 1  |
| OPERATING CONDITIONS           | Ambient Temperature: 5 - 43°C<br>Voltage Range: Rated Voltage ±6%  |

\*We reserve the right to make changes in specifications and design without prior notice.

1. Install the product properly in accordance with the instructions on location, water supply/ drain connections and electrical connections stated in the instruction and installation manuals provided.  
Allow 10mm extra space at the installation site to meet any installation requirements (additional spacing is also required for proper air flow and pipe connections).
2. The heat rejection is based on the reached pulldown temperature at ambient temperature of 35°C.
3. Product Code: R592-C226 (HTW)

\*CUSTOMIZED  
GLASS DOOR  
LED



# HOSHIZAKI REACH-IN REFRIGERATOR HR-148MA-TG

|                    |                   |                  |               |                    |                       |
|--------------------|-------------------|------------------|---------------|--------------------|-----------------------|
| APPROVED<br>NAGASE | CHECKED<br>NAGASE | DESIGNED<br>ZHOU | DRAWN<br>ZHOU | SCALE<br>1/20      | TRIGONOMETRY          |
| *                  | *                 | △                | *             | DATE<br>2020.10.23 | DRAWING NO.<br>D29350 |
| APPROVED           | DESIGNED          | SYMBOL           | DATE          |                    | SYMBOL<br>△           |