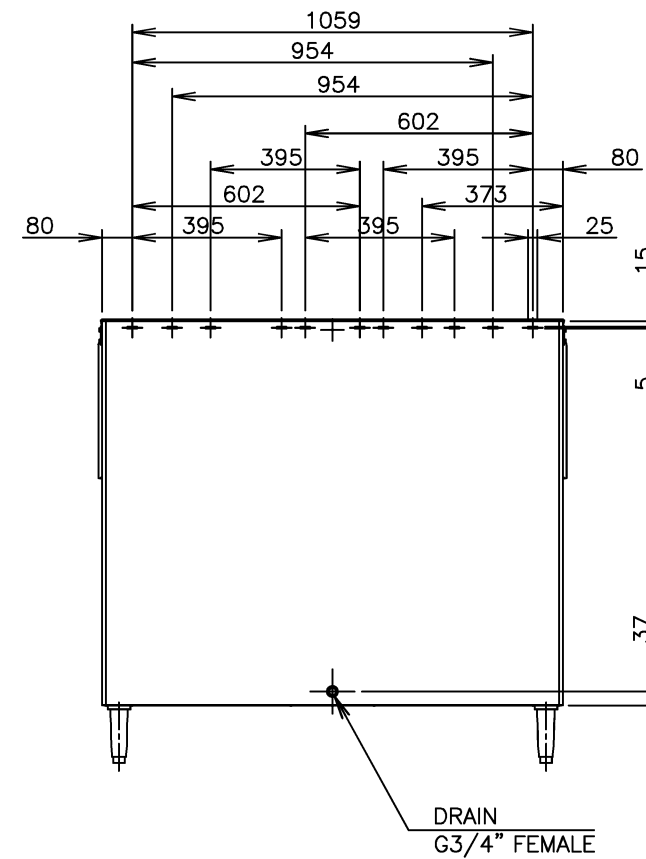
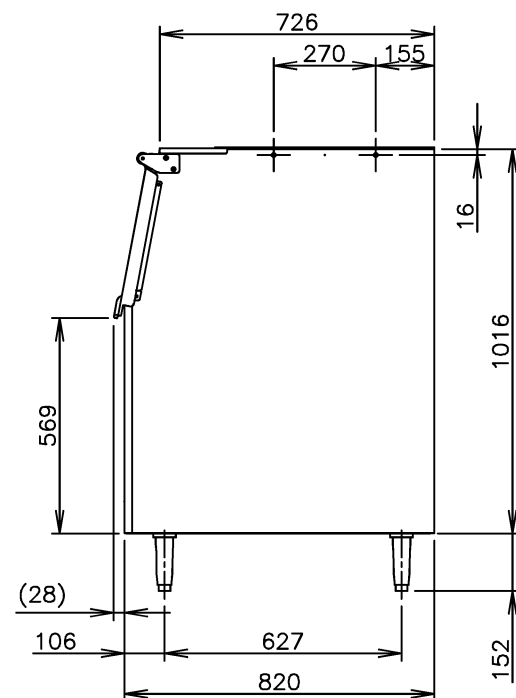
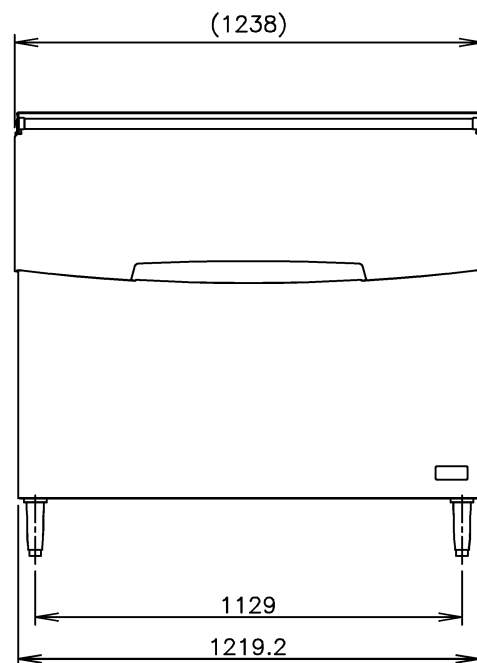
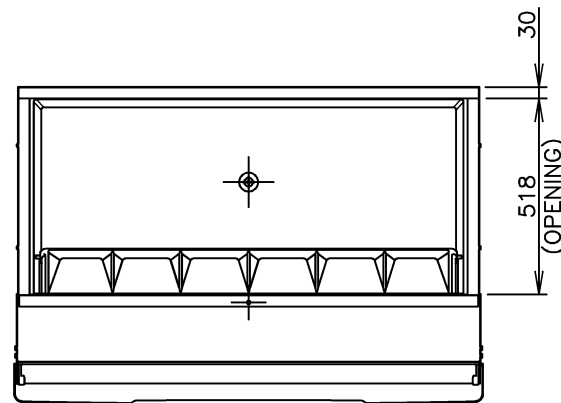


ITEM	Hoshizaki Ice Storage Bin
MODEL	B-801SA
STORAGE CAPACITY	Approx. 286kg Maximum 348kg
OUTSIDE DIMENSIONS	1219.2mm(W)×820mm(D)×1016mm(H)
EXTERIOR	Stainless Steel, Galvanized Steel(Rear), Plastic Door
INTERIOR	Polyethylene
DOOR STYLE	Upward Opening
INSULATION	Polyurethane Foam
CONNECTION-DRAIN	Outlet 3/4"(connected at rear side)
WEIGHT	Net weight 64kg/Gross weight 86kg
INSULATION FOAM BLOWING AGENT	Cyclopentane/CFC Free/ODP: 0/GWP: 3
ACCESSORIES	Scoop, Leg(4 pcs)

\*We reserve the right to make changes in specifications and design without prior notice.

1. Install the ice maker properly in accordance with the instructions on location, water supply/drain connections and electrical connections stated in the instruction and installation manuals provided. Allow 10mm extra space at the installation site to meet any installation requirements (additional spacing is also required for proper air flow and water connections).
2. Product Code: G008-C101



# HOSHIZAKI ICE STORAGE BIN B-801SA (for HLP)

APPROVED YAMAGUCHI	CHECKED TIAN	DESIGNED ZHANG	DRAWN ZHANG	SCALE 1/20	TRIGONOMETRY
*	*	△	*****	DATE 2019.12.23	DRAWING NO. D27874
APPROVED	DESIGNED	SYMBOL	DATE		SYMBOL △